



6. Connect all required circuit points  
Place Alpine INE-W928R on dash board and fix it with 2 OEM Torx screws



7. Place fascia plate to finish installation

*This kit can be used for cars which were equipped with the following factory radios:*

- Chorus Gen.II+
- Concert Gen.II+
- Symphony II
- Symphony II+
- RNS-E
- RNS-low (BNS 5.0)

*If the car was equipped with a 1 DIN radio like Radio Chorus II, Concert II or Symphony II, you need to change the center console to 2 DIN.*

*Your Audi partner can support you.*

**ALPINE**

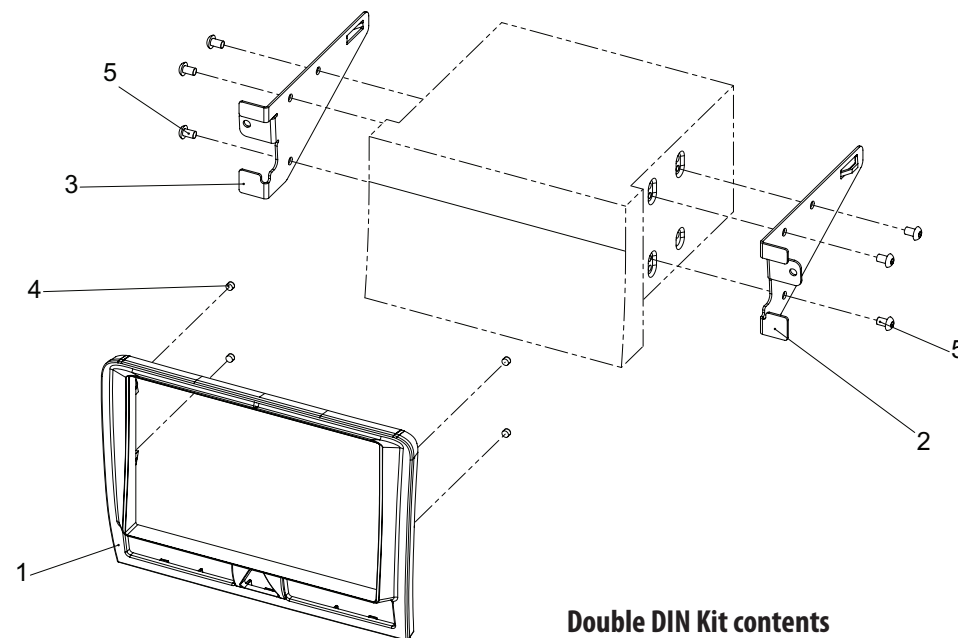
## Installation Manual INE-W928R Kit

- Audi A3 (8P) 2004 - 09/2012

colour / part-no.:  
black: KIT-8A3 /KIT-8A3D

Compatible with these Alpine navigation devices

**INE-W928R**



### Double DIN Kit contents

- (1) Facia Plate
- (2) Mounting Bracket Right
- (3) Mounting Bracket Left
- (4) Magnet
- (5) Flat Headed Screw



1. Put four radio release keys in the appropriate slots of the OEM radio

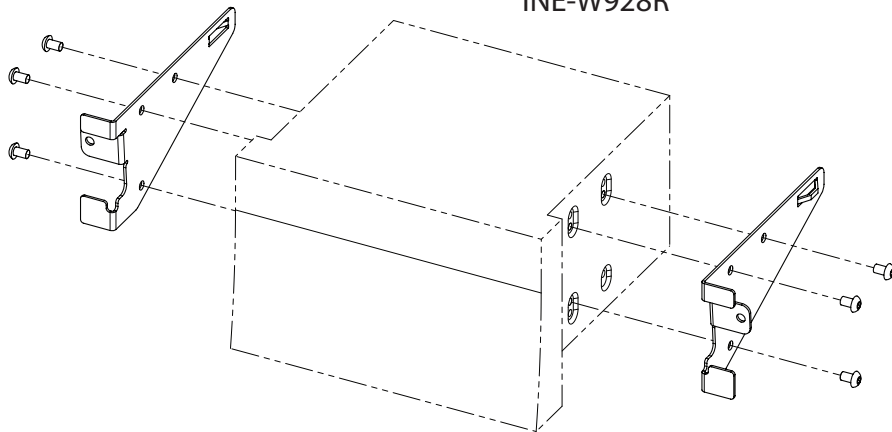


2. Remove OEM head unit by pulling it towards your direction



3. Remove plastic clip surrounding cup holder and hazard light switch

4. Attach metal mounting brackets to with 3 flat headed screws on each side to Alpine INE-W928R



5. Remove OEM Torx screws (see arrows)  
Cut away plastic (see white lines) to clear space for INE-W928R

