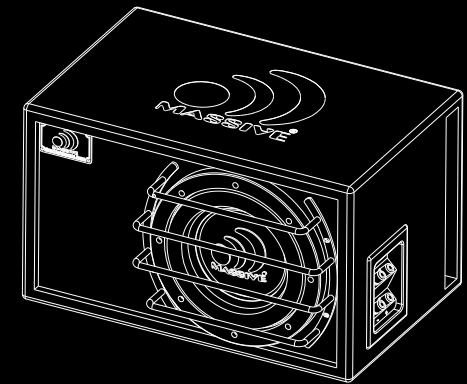


MASSIVE AUDIO, INC.  
P.O. BOX 252004. LOS ANGELES, CA 90025 U.S.A  
[WWW.MASSIVEAUDIO.COM](http://WWW.MASSIVEAUDIO.COM)

MASSIVE<sup>®</sup>



**LOADED ENCLOSURE**

**BG-6**

**BG-8**

**BT-10**

**BT-12**

MASSIVE<sup>®</sup>

## Safety Instructions

### **Attention!**

*Please read all warnings found in this manual. This information is highlighted in frames and is included to inform you of the potential danger of personal injury or damage to property.*

### **Hearing Damage**

*Continuous, excessive exposure to sound pressure levels in excess of 85 dB can cause a loss of hearing. massive components are capable of producing sound pressure levels greater than 85 dB.*

### **Volume and Driver Awareness**

*Use of sound components can impair your ability to hear necessary traffic sounds and may constitute a hazard while driving your automobile.*

*MASSIVE AUDIO accepts no liability for hearing loss, bodily injury or property damage as a result of use or misuse of this product.*

## Safety Instructions

*Do not use your automobile until all components of the loudspeaker system have been secured to the interior framework. Failure to do so may turn a component into a dangerous, flying projectile during a sudden stop or accident.*

*Do not drill or drive screws through any vehicle interior or carpeted floor before inspecting the underside for potential punctures to control lines or cables. Be sure to avoid all fuel lines, brake lines, electrical cables or oil lines when planning the installation.*

*Before beginning installation of the loudspeaker system remove the minus connector from the automobile battery in order to avoid possible short circuits.*

*Caution: Use care when removing interior trim panels. Car manufacturers use a variety of fastening devices that can be damaged in the disassembly process.*

*Attention: If sheet metal must be cut or removed contact your authorized car dealer for professional advice. By damage to supporting body structures the safety certificate may be withdrawn.*

## SPECIFICATIONS

### **BG-6**

6.5" Subwoofer with bass reflex housing

RMS Power / MAX Power:

Impedance:

Width / Depth / Height:

250W / 500W

Dual 4 ohm

356 x 228 x 216 mm

### **BG-8**

8" Subwoofer with bass reflex housing

RMS Power / MAX Power:

Impedance:

Width / Depth / Height:

400W / 800W

Dual 4 ohm

435 x 280 x 261 mm

### **BT-10**

10" Subwoofer with bass reflex housing

RMS Power / MAX Power:

Impedance:

Width / Depth / Height:

300W / 600W

Dual 4 ohm

495 x 346 x 306 mm

### **BT-12**

12" Subwoofer with bass reflex housing

RMS Power / MAX Power:

Impedance:

Width / Depth / Height:

300W / 600W

Dual 4 ohm

550 x 403 x 356 mm

## CONNECTION

**WARNING:** Both voice coils must be connected to the amplifier for correct operation of this speaker. Use of this speaker with only one voice coil connected voids all warranties. Voice coils may be wired in series or parallel to connect to a single channel of an amplifier or a mono-bridged amplifier.

### Important Notice:

In case of connection with reverse polarity at only one pair of the connector pins, the voice coil are working against each other.

In this case you would not hear any bass but the voice coils are heavily used.

This might cause to destroy the subwoofer.

Double-check the wiring connections and start testing the system with low volume level.

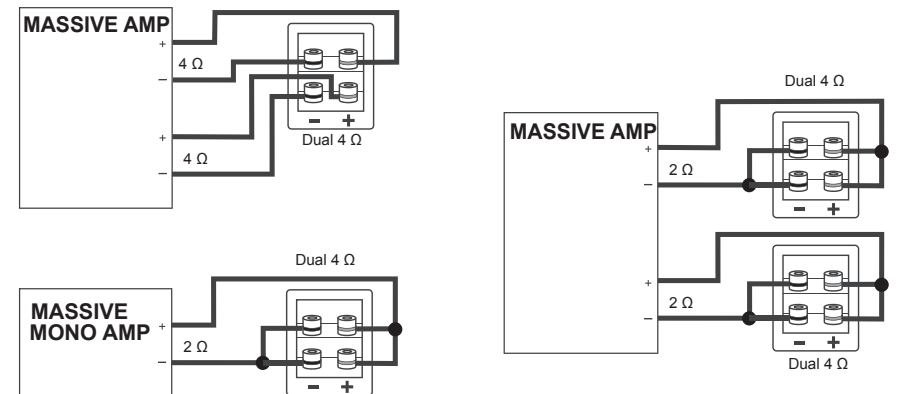
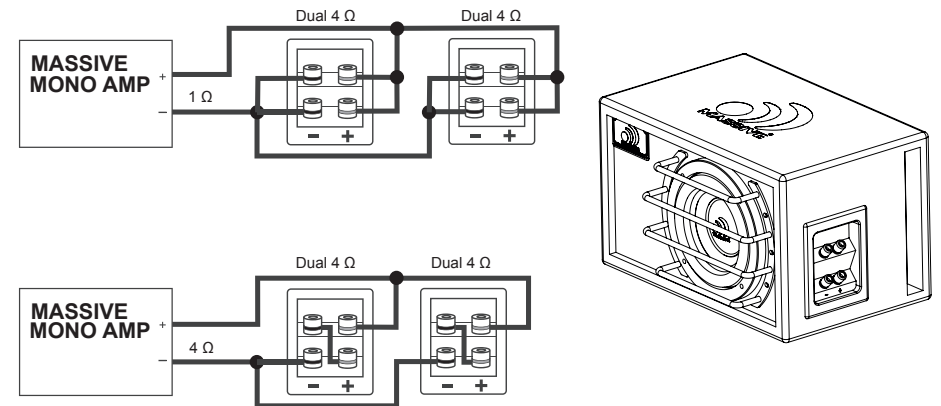


### **! SHOCK HAZARD !**

Don't touch the connectors when the system is running.



## CONNECTION



MASSIVE-Subwoofer  
Impedance:

BG-6 = Dual 4 Ω

BG-8 = Dual 4 Ω

BT-10 = Dual 4 Ω

BT-12 = Dual 4 Ω

