

RELAX

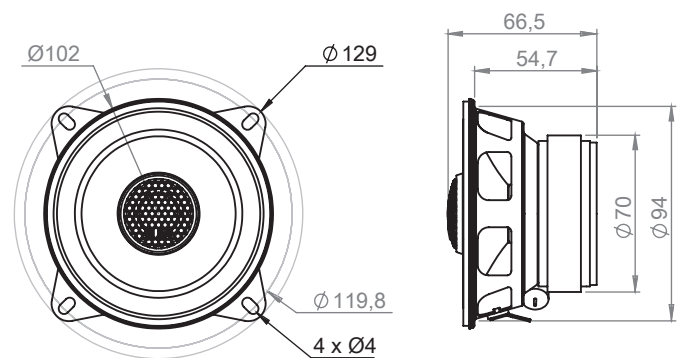
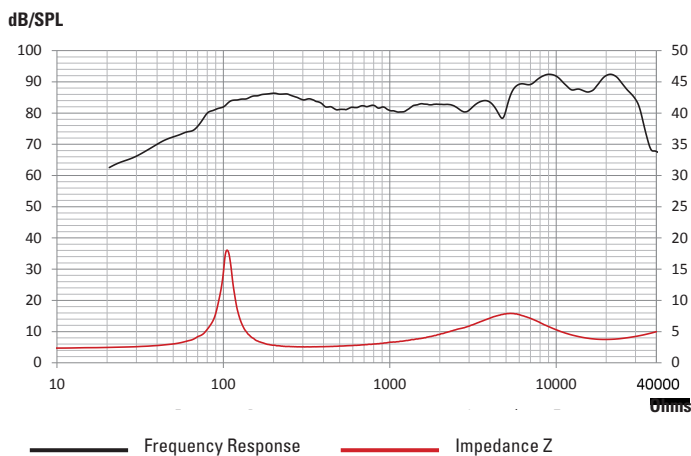
100 RC speaker

- 100 mm (4") coaxial
- Max power 80 W - Nom. power: 40 W
- Frequency response: 100 Hz– 25 kHz
- Sensitivity (2.83V/1m) 90.2 dB

TECHNICAL SPECIFICATIONS

| | | |
|---------------------------|-----------------|-----------------|
| Component | Speaker | |
| Max power | 80 W | |
| Nominal power | 40 W | |
| Impedance | 2 Ω | |
| Freq. Response | 100 Hz - 25 KHz | |
| Sensitivity (2,83V/1m) | 90,2 dB | |
| Magnet | Ferrite | |
| Magnet size Ø x h | 70 x 15 mm | 2,756" x 0,591" |
| Total driver displacement | 0,12 l | 0,004 cf |
| Weight of one component | 0,57 kg | 1,257 lb |
| Voice coil Ø | 25 mm | 0,984" |
| Voice coil height | 11 mm | 0,433" |
| Cone | Cellulose pulp | |

FREQUENCY RESPONSE / IMPEDANCE



THIELE-SMALL PARAMETERS

| | |
|----------------------|-----------------------|
| effective Ø (d) | 82 mm |
| Sd | 52,81 cm ² |
| Xmax | 3,50 mm |
| Re | 2,4 Ω |
| Fs | 113,45 Hz |
| Le | 88,18 µH @ 1 kHz |
| L2 | 135,30 µH @10 kHz |
| Vas | 1,31 L |
| Mms | 5,91 g |
| Cms | 0,000333 m/N |
| BL | 3,30 Tm |
| Qts | 0,82 |
| Qes | 0,93 |
| Qms | 6,78 |
| Sensitivity (dB/W/m) | 85 dB |

Guy Bonneville

BLAM
DRIVEN BY PASSION