

Model	GZUC 65.3SQX		
Impedance	4 Ohm		
Frequency response	40Hz – 25kHz		
Cut-off frequency	Recommended active cut off: 300 Hz (12dB) Passive crossover: 3000 Hz (12 dB)		
Recommended power	Kickwoofer: 120 - 200 Watt Mid/High: 100 - 150 Watt		
Crossover	2- Way		
Crossover parts	Air coils / MOX resistors / MET capacitors / PTC / Gold plated jumpers		
Crossover function	Adjustable Tweeterlevel, Highpass and Lowpass / Phaseswitch		
	Kickwoofer	Midrange	Tweeter
Cone (Dome)	WFWC (1 Layer glass fibre / 1 layer wood fibre)	Aluminum	High shape coated silk dome
Cone color	Brown	Black	Black
Surround	LDW rubber	Rubber	Coated silk
Dustcap	Coated cloth fibre with silver logo print	Aluminum	-
Basket / Frame material	Euro-Din Aluminum cast	Fiber composite basket	Machined aluminum
Basket / Frame color	Dark grey powder coated	Black	Front: Black anodized / Back: Copper anodized
Terminal	Chrome push terminal	Solder terminal	Cable
Magnet	1 x Ferrit 90 x 15 mm (3.54" x 0.59")	1 x Neodymium	1 x Neodymium with coupled chamber
Voice coil	31 mm / 1.22" copper round wire	25 mm / 1" copper round wire	25 mm / 1" copper round wire
Voice coil former	Aluminum	Aluminum	Aluminum
RE	3.44 Ohm	3.9 Ohm	3.2 Ohm
SPL	89 dB	84 dB	91 dB
FS	55.1 Hz	150 Hz	750 Hz
QMS	7.514	5.12	
QES	0.522	0.74	
QTS	0.488	0.64	
VAS	12.6 L / 0.445 cu.ft	0.5 L / 0.018 cu.ft	
MMS	18.1 Gr	1.9 Gr	
BL	6.4 N/A	3.0 N/A	
RMS	0.834 kg/s	0.3 kg/s	
CMS	0.46 mm/N	0.68 mm/N	
LE	0.458 mH	0.12 mH	
Linear Excursion	+ / - 5 mm / 0.197"	+/- 1.5 mm / 0.059"	
X Max	10 mm / 0.39"	4 mm / 0.157"	
Frequency response	40 Hz – 4 kHz	300 – 20 kHz	2 – 25 kHz
Powerhandling	120 / 200 W	50 / 80 W	70 / 120 W
Outer diameter	165 mm / 6.5"	72 mm / 2.83"	49 mm / 1.93"
Mounting diameter	142 mm / 5.59"	61 mm / 2.4"	43.10 mm / 1.7"
Mounting depth	70 mm / 2.76"	36 mm / 1.42"	22 mm / 0.87"



GROUND ZERO[®]

GERMAN ENGINEERING

Addendum

GZUC 65.3SQX



GROUND ZERO GmbH – Erlenweg 25 – 85658 Egmating – Germany



GroundZeroAudioCom

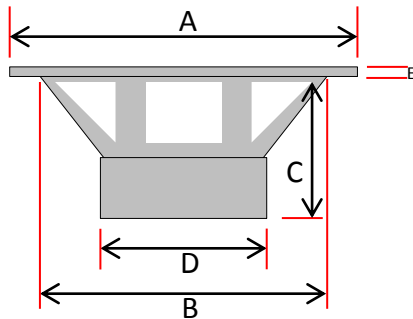
www.ground-zero-audio.com
info@ground-zero-audio.com

WFWC® "Wooden Fiber Woven Compound"

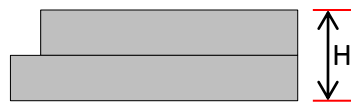
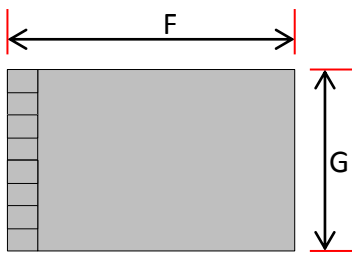
This state of the art cone material and its production technology combine extraordinary low distortion of thin woven glass fiber and the outstanding strength of rough wooden fabric. Due to its light weight this cone offers perfect and precise sound quality.

LDW® "Low Distortion Wave"

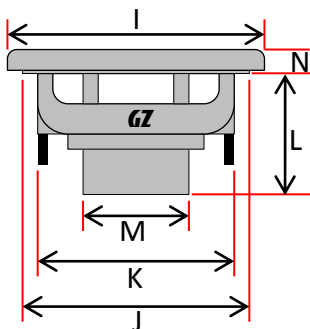
Because of its complex shaped wave-form, the exclusively designed LDW® Surround ensures an extremely linear performance and the reduction of partial oscillation.



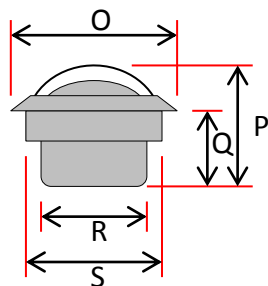
A	165 mm / 6.5"
B	142 mm / 5.59"
C	70 mm / 2.76"
D	104 mm / 4.09" (90 mm / 3.54")
E	4.3 mm / 0.169"



F	142 mm / 5.59"
G	86 mm / 3.39"
H	43 mm / 1.69"



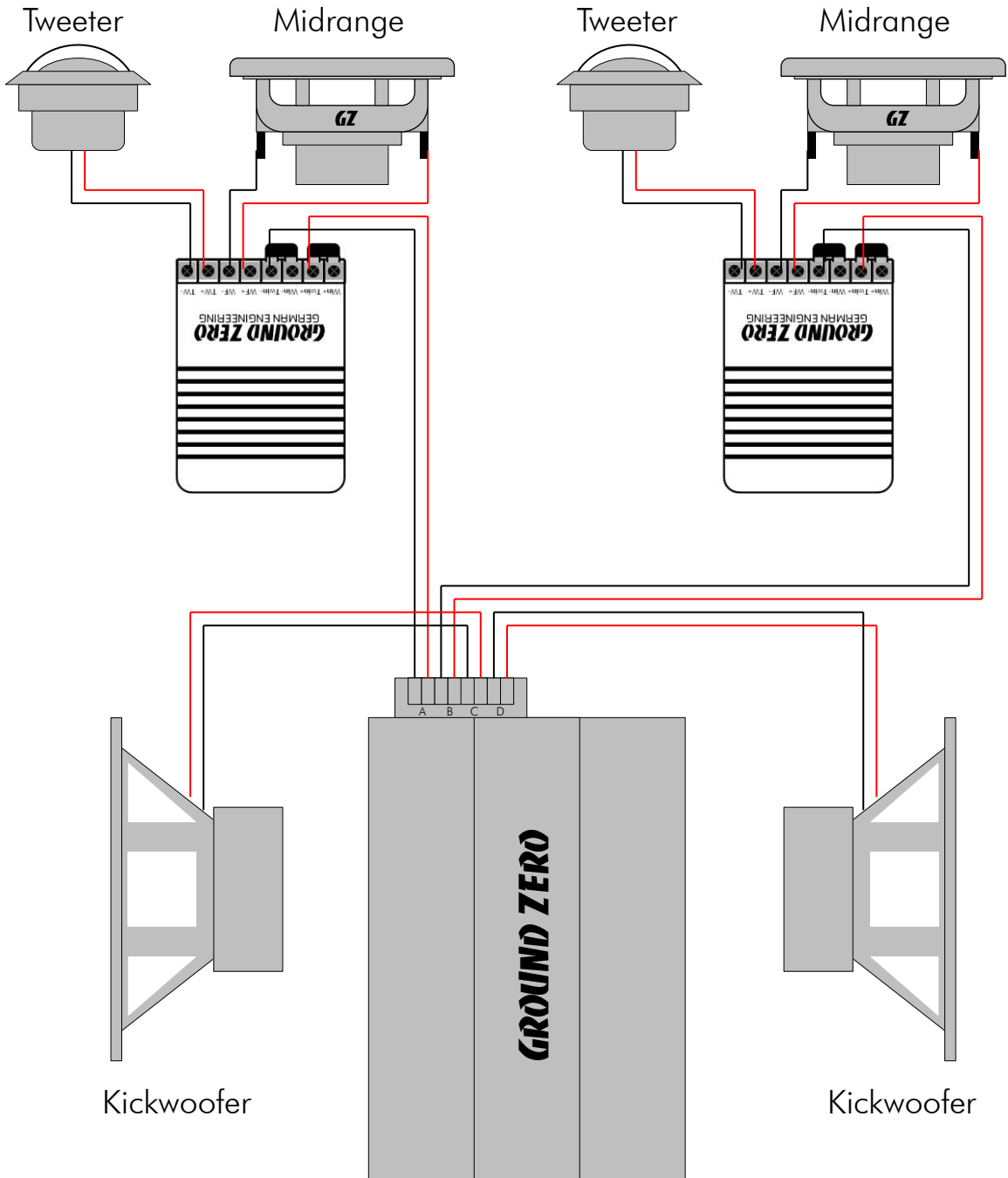
I	90 mm / 3.54"
J	72.7 mm / 2.86"
K	61.7 mm / 2.43"
L	36 mm / 1.42"
M	37 mm / 1.46"
N	7.2 mm / 0.28"



O	49 mm / 1.93"
P	34 mm / 1.34"
Q	22 mm / 0.866"
R	33 mm / 1.299"
S	43.10 mm / 1.7"



Wiring diagram



4 Channel amplifier

Recommended cut-off frequencies:

A+B: HPF 300 Hz/12dB

C+D: LPF 300 Hz/12dB

