

M10

Midrange Speakers



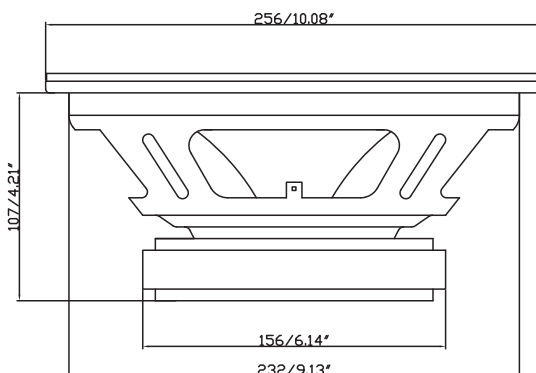
KEY FEATURES

- 2" Voice Coil
- 150 Watts Continuous Power Handling
- 95dB Sensitivity
- 55-7 KHz



GENERAL SPECIFICATIONS

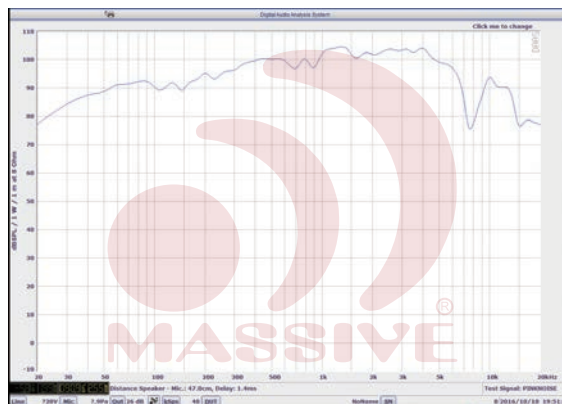
Nominal Diameter	10"(256 mm)
Nominal Impedance	8 ohm
Rated Power Handling	150 Watts
Program Power	300 Watts
Sensitivity 2.00v at 1m	95 dB
Recommended Hi Pass Crossover	55 Hz
Frequency Response	55-7000 Hz
Voice Coil Diameter at - 10dB	2"(50 mm)
Voice Coil Wire	Copper
Former Material	Kapton
Frame Material	Stamped Steel



THIELE-SMALL PARAMETERS

Equivalent Volume	Vas	52.1 L
Excursion	Xmax	1 mm
Free Air Resonance	Fs	54 Hz
Mechanical Mass	Qms	3.11
Electcal Factor	Qes	0.654
Total Factor	Qts	0.54
Cone Area	Sd	0.035 m2
Mechanical Mass	Mms	0.0267 kg
BI Factor	BI	9 Tm
Dc Resistance	Re	5.2 ohms
Inductance	Le	0.16 Mh at 1 KHz
Mechanical Compliance	Cms	2.94 mm/N

Frequency Response Measured at 2.00V/1m



350
PEAK WATTS

