



# M/C Series

## PRO MIDRANGE

### General Features

- \* Heavy Gauge Aluminium Basket With Industrial Texture Painting
- \* High Flux Y35 Strontium Ferrite Magnet
- \* Single Impedance Til Former With CCAW Voice Coil
- \* Poly Cotton Spider With Woven Round Tinsel Leads
- \* Kevlar Enhanced Paper Cone With Cloth Surround
- \* Pressed Paper Dust Cap
- \* 10mm Top Plate

### Specifications

CONFIGURATION		MC8II	MC10II	MC12II
Voice Coil		Single 8 Ohm	Single 8 Ohm	Single 8 Ohm
FS	Hz	69.5	74.3	54.2
Qms		4.79	6.56	12.41
Vas	liters	18.4	22.9	75.6
Cms	mm/N	0.29	0.14	0.20
Mms	g	18.2	33.6	42.7
SPL@2.83V/1m	dB	98	99	99
Watts RMS	W	200	400	400
Peak Power	W	600	800	800
Xmax	mm	1	1	1
Magnet Weight	oz	56	76	76
Xmech	mm	18	18	18
Dia	mm	168	210	260
Sd	sq.m	0.0222	0.0346	0.0531
ELECTRICAL		Individual	Individual	Individual
Qes		0.37	0.38	0.35
Re	ohms	5.6	5.6	5.6
Le	mH	0.55	0.6	0.7
BL	Tm	11	15.3	15.8
Pe	Watts	200	400	400
ELECTROMECHANICAL		Individual	Individual	Individual
Qts		0.34	0.36	0.34
no	%	0.9	0.95	1.2

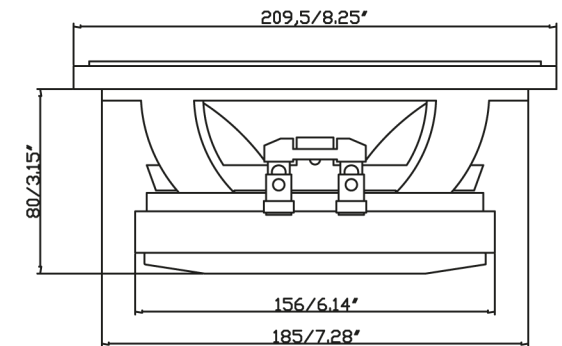
**600**  
PEAK WATTS

**800**  
PEAK WATTS

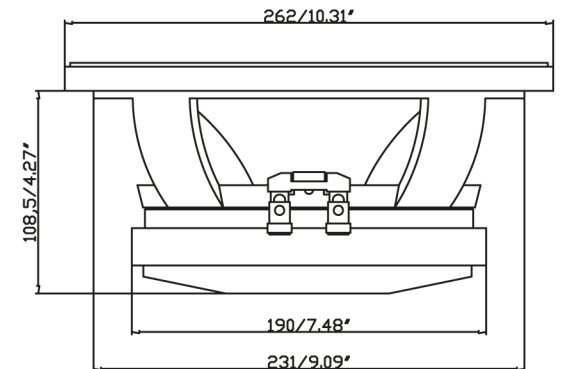


P.O. Box 252004 LOS ANGELES, CA 90025 U.S.A.  
WWW.MASSIVEAUDIO.COM

### MC8II



### MC10II



### MC12II

