

MT1

Power Bullet Tweeter



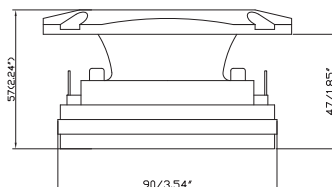
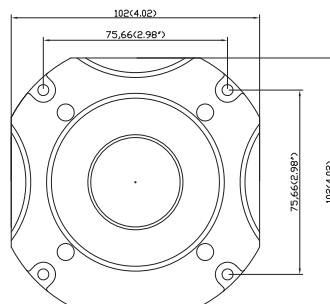
KEY FEATURES

- 1.48" Voice Coil
- 120 Watts Continuous Power Handling
- 108 dB Sensitivity
- 3 K-22 KHz



GENERAL SPECIFICATIONS

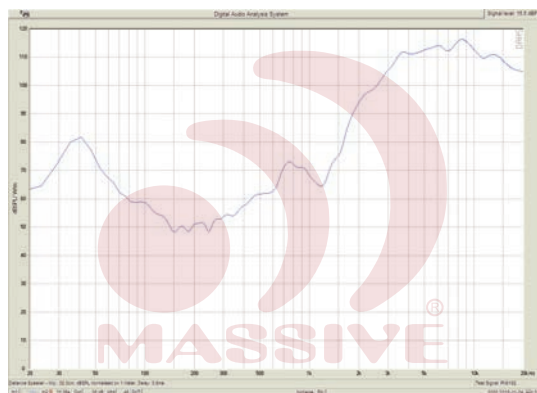
Nominal Impedance	4 ohm
Rated Power Handling	120 Watts
Program Power	300 Watts
Sensitivity 2.00v at 1m	108 dB
Recommended Hi Pass Crossover	3 KHz
Frequency Response	3K-22 KHz
Voice Coil Diameter at - 10db	1.48"(37.6 mm)
Voice Coil Wire	CCA W
Former Material	Kapton
Diaphragm Material	Aluminium
Magnet Material	Neodymium



THIELE-SMALL PARAMETERS

Overall Depth	4.02"(102 mm)
Mounting Depth	4.02"(102 mm)
Overall Width	2.24"(57 mm)
Overall Height	1.85"(47 mm)
Coutout Diameter	3.54"(90 mm)
Net Weight	2.0 lbs(0.9 kg)
Shipping Weight	2.4 lbs(1.1 kg)
Carton Dimensions WxLxH	5.5"x4.9"x3.4" (140x125x86 mm)

Frequency Response Measured at 2.83v/1m



300
PEAK WATTS