

®



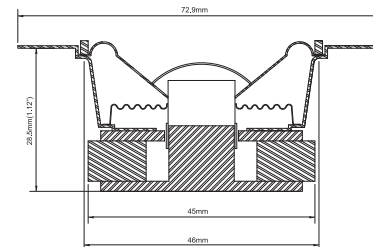
MX Series Coaxial Speakers

General Features:

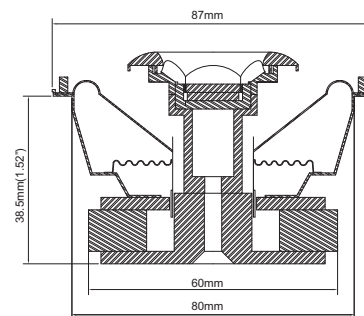
- * Custom Making Massive Logo 2 Way Tweeter Plate(Except MX2)
- * High-Energy Y30 Magents Assures Sufficient Magnet Force Needed For High Sensitivity And Accurate Sound Reproduction
- * Two Piece Custom Paintable Metal Grills(Except MX2,MX3)
- * Rugged Construction To Withstand Harsh Mobile Environment
- * Custom Laminated Paper Cone With Butyl Foam Surrond
- * High Quality Cloth Spider With Polyester Fiber
- * 0.5"/0.75" High Temperature KSV Voice Coil
- * 13mm Hard Diaphragm Tweeter With Ferro Fluid Cooled V.C.(Except MX2)

Specifications:

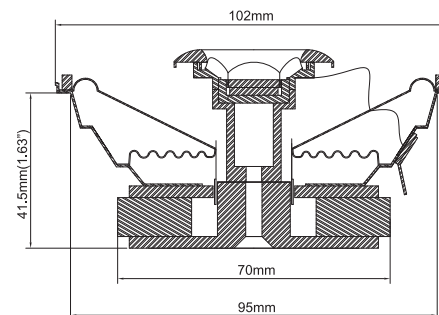
Model	MX 2	MX 3	MX 4
Woofer Size	2"	3"	4"
Tweeter Size	N/A	13mm PEI	13mm PEI
Frequency Range	200-20KHz	160-20KHz	120-20KHz
SPL @ 2.83V/1m	90.1 dB	91.2 dB	91.5 dB
Watts RMS	20 W	25 W	30 W
Maximum Power	40 W	50 W	60 W
Peak Power	100 W	120 W	150 W
Impedance	4 Ohm	4 Ohm	4 Ohm
Frame Diameter	2.87x2.0"	3.43"	4.02"
Mounting Depth	1.12"	1.52"	1.63"
Mounting Diameter	1.81"	3.15"	3.74"



MX 2



MX 3



MX 4

100
PEAK WATTS

120
PEAK WATTS

150
PEAK WATTS





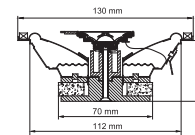
MX Series Coaxial Speakers

General Features:

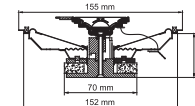
- * Heavy Gauge Steel Powder Coated Basket With MASSIVE Punched Logo.
- * Custom Making Massive Logo 3 Way Tweeter Plate
- * High-Energy Y30 Magnets Assures Sufficient Magnet Force Needed For High Sensitivity And Accurate Sound Reproduction
- * Two Piece Custom Paintable Metal Grills(Except MX57, MX46)
- * Rugged Construction To Withstand Harsh Mobile Environment
- * Custom Laminated Paper Cone With Butyl Rubber Surround
- * High Quality Cloth Spider With Polyester Fiber
- * 1" High Temperature KSV Voice Coil
- * 13mm Hard Diaphragm Tweeter With Ferro Fluid Cooled V.C.

Specifications:

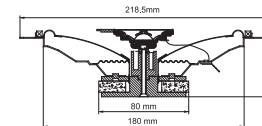
Model	MX 5	MX 46	MX 57	MX 65S	MX 65	MX 693
Woofer Size	5.25"	4X6"	5X7"/6X8"	6.5"	6.5"	6X9"
Tweeter Size	13mm PEI	13mm PEI	13mm PEI	13mm PEI	15mm PEI	13mm PEI+66mm(Mid)
Frequency Range	80-20KHz	95-20KHz	65-20KHz	65-20KHz	60-20KHz	60-20KHz
SPL @ 2.83V/1m	90,5 dB	90,1 dB	92,5 dB	93 dB	90 dB	93,6 dB
Watts RMS	40 W	40 W	50 W	50 W	60 W	60 W
Maximum Power	80 W	80 W	100 W	100 W	120 W	120 W
Peak Power	180 W	180 W	220 W	220 W	250 W	250 W
Impedance	4 Ohm	4 Ohm	4 Ohm	4 Ohm	4 Ohm	4 Ohm
Frame Diameter	5.12"	4.06X6.10"	5.50X8.60"	6.5"	6.54"	6.50"X9.27"
Mounting Depth	1.95"	2.13"	2.17"	1.89"	2.48"	2.95"
Mounting Diameter	4.41"	3.84X5.98"	4.94X7.09"	5.51"	5.59"	6.02"X8.78"



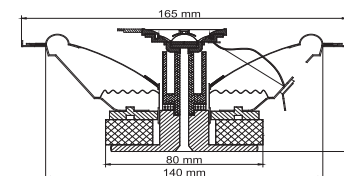
MX 5



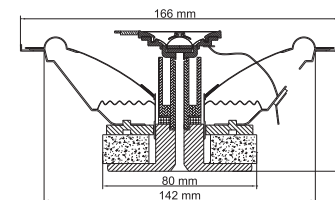
MX 46



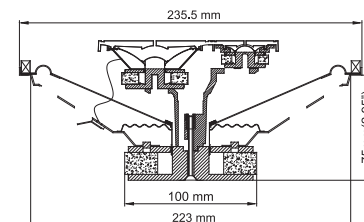
MX 57



MX 65S



MX 65



MX 693

180
PEAK WATTS

220
PEAK WATTS

250
PEAK WATTS

