



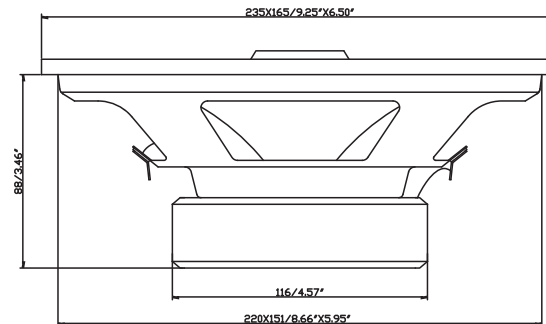
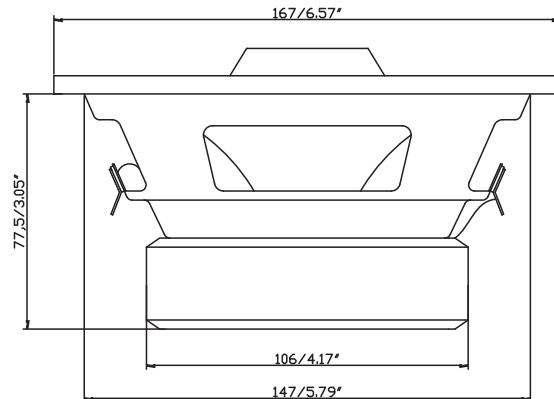
# PX Series Coaxial Speakers

## General Features:

- \* Heavy Gauge Steel Powder Coated Basket
- \* High-Energy Y30 Magnets Assures Sufficient Magnet Force Needed For High Sensitivity And Accurate Sound Reproduction
- \* Two Piece Custom Paintable Metal Grills
- \* Rugged Construction To Withstand Harsh Mobile Environment
- \* Custom Laminated Paper Cone With Cloth Surround
- \* High Quality Cloth Spider With Polyester Fiber
- \* 1.5" High Temperature TIL Voice Coil
- \* 25mm Aluminum Tweeter

## Specifications:

Model	P65X	P69X
Midbass Size	6.5"	6X9"
Tweeter Size	25mm Aluminum	25mm Aluminum
Frequency Range	100-22KHz	80-22KHz
SPL @ 2.83V/1m	95 dB	96 dB
Watts RMS	120 W	140 W
Maximum Power	240 W	280 W
Peak Power	280 W	300 W
Impedance	4 Ohm	4 Ohm
Frame Diameter	6.57"	9.25X6.5"
Mounting Depth	3.05"	3.46"
Mounting Diameter	5.79"	8.66x5.95"

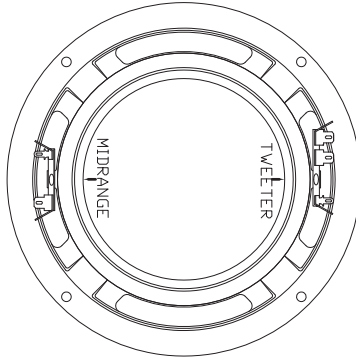


**280** PEAK WATTS    **300** PEAK WATTS

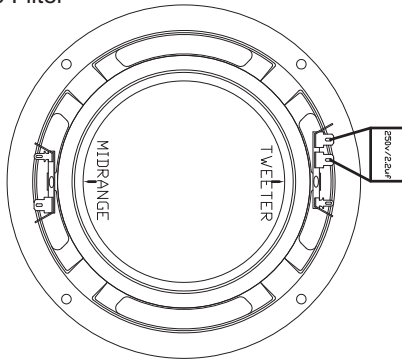


## P65X

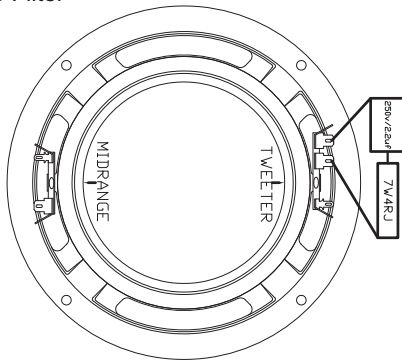
**A** Bi-Ampable /  
Use External X-over.



**B** 6 dB Hi-Fi Aluminum Cap Filter

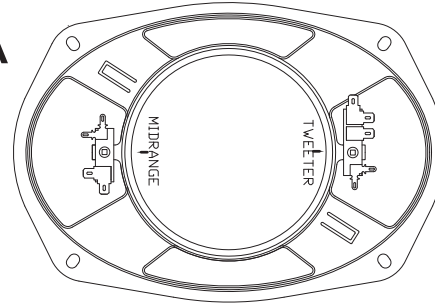


**C** 6 dB Hi-Fi Aluminum Cap Filter  
+ In-line 3 dB attenuation

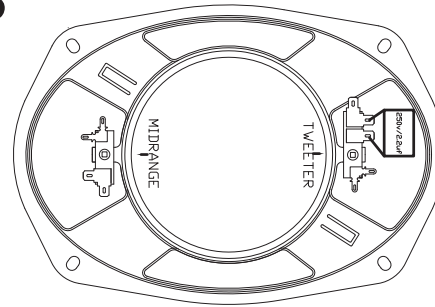


## P69X

**A**



**B**



**C**

