

General Features

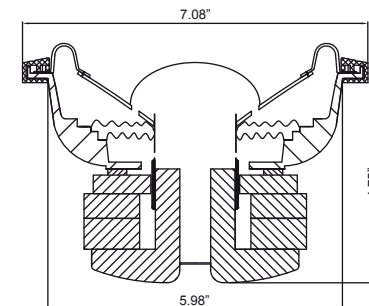
- * Die Cast Basket with Black Textured Finish
- * Kevlar Fiber Enhanced Non-Pressed Paper Cone with Textured Paint Finish
- * EROM Foam Surround with Red Stitching
- * 1.5" 4-Layer Hi-Temp Voice Coil (SUMMO 64)
- * 2.0" 4-Layer Hi-Temp Voice Coil (SUMMO 84)
- * Fiberglass Woven Dust Cap
- * Double Stacked 48oz High Energy Magnets (SUMMO 64)
- * Double Stacked 90oz High Energy Magnets (SUMMO 84)
- * Enhanced Cooling T-yoke Design with Black Anodized Finish
- * Customized Rubber Gasket and Magnet Boot
- * 16 Gauge Power Cable with Direct Lead Connection

Specifications

Mechanical		SUMMO 64	SUMMO 84	
Fs	Hz	53.261	37.853	
Qms		4.758	4.216	
Vas	liters	4.051	15.119	
Cms	um/N	161.942	263.385	
Mms	g	51.219	63.709	
Rms	g/s	8.55	3.88	
Xmax	mm	9	10	
Xmech	mm	28	30	
Dia.	mm	135	160	
Sd	sq.m	0.014	0.0215	
Vd	liters	1.168	1.866	
Electrical Parameters			Parallel	Series
Qes		0.759	0.49	0.449
Re	Ohms	3.4	1.7	6.8
Le	mH	2.762	0.761	3.223
BL	Tm	8.535	6.75	13.644
Pe	Watts	150	300	300
Electromechanical			Parallel	Series
Qts		0.655	0.439	0.399
no	%	0.087	0.175	0.17
1-W-SPL	dB	81.4	84.4	84.3
2.8V SPL	dB	85.31	91.36	85.21

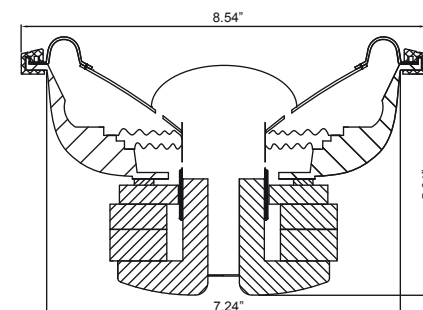


300
PEAK WATTS



SUMMO 6

600
PEAK WATTS



SUMMO 8



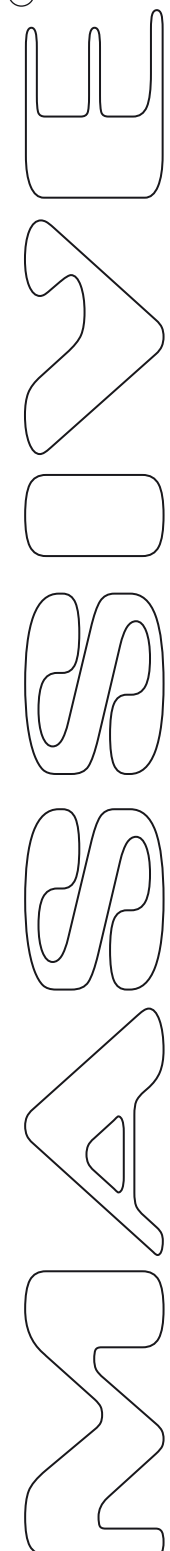
P.O. Box 252004 Los Angeles, CA 90025 U.S.A.
WWW.MASSIVEAUDIO.COM



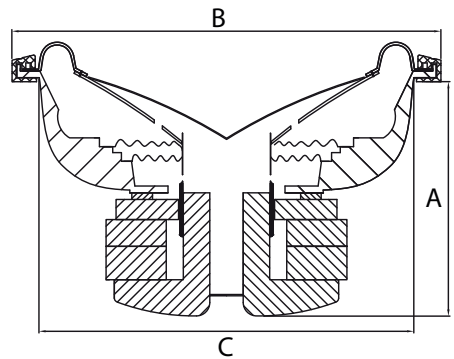
RoHS **E8**

W SUMMO

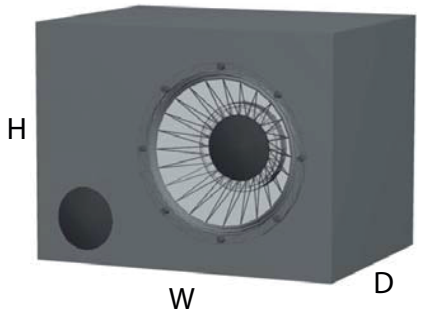
For More Customized Box Volume Specifications
Please visit www.massiveaudio.com



	SUMMO 6	SUMMO 8
Mounting Depth (A)	4.76"	5.04"
Mounting Diameter (B)	7.08"	8.54"
Mounting Cut Diameter (C)	5.98"	7.24"
Net Weight (kg)	7.5	11
Displacement (ft3)	0.025	0.035



	SUMMO 64		SUMMO 84	
	Small	Optimum	Small	Optimum
Single Sealed				
Volume (cub. ft)	0.25	0.41	0.42	0.75
Internal (Width x Height x Depth) in.	8 x 8 x 7	10 x 8 x 9	9 x 9 x 9	12 x 9 x 12
F3 Hz	67	66	63	61
Qtc	0.799	0.734	0.566	0.5
Single Ported				
Volume (cub. ft)	0.29	0.41	0.5	0.75
Internal (Width x Height x Depth) in.	8 x 8 x 8	10 x 8 x 9	10 x 9 x 10	12 x 9 x 12
Fb Hz	52	38	46	44
F3 Hz	42	34	44	39
Port Round (D X L)	1.5" x 6	1.5" x 8	2" x 8	2.5" x 8
Port Area sq. in.	1.77	1.77	3.14	4.91
Dual Ported				
Volume (cub. ft)	0.59	1	1	1.5
Internal (Width x Height x Depth) in.	16 x 8 x 8	16 x 8 x 14	18 x 10 x 10	24 x 9 x 12
Port (1) Sq. area in.	4	8	7.5	10
Port Length	6	10	8	10
F3 Hz	45	38	48	41



The port may have to be placed along the back wall facing the side. Place a brace between the subs about 4 inches wide on the inside.
Make sure that the end of the port "inside the box" is at least the same distance away from the back wall as the port diameter. If port is 4" round = 4.5" from wall

Attention:

- *Box sizes account for driver and port displacement
- *For higher SPL shortening the port length 3 in. will raise frequency +/- 5 Hz
- *Box specifications are internal. For external dimensions add the width of the box material to these dimensions.
- *A square port (slot) is preferred in high power applications for less vent noise.
- *Port area = width x height
- *For dual speaker, double the volume and the number of ports but keep the same length.
- *If possible use a divided box.
- *If a common chamber box is to be used, internal bracing is highly recommended
- *Please contact Massive Audio for custom applications.

