

SUMMO XL

SUBWOOFERS

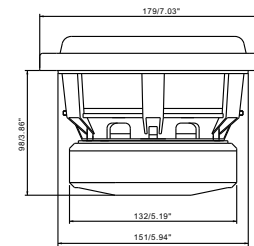
General Features

- * Heavy Duty, Rugged Industrial Textured Cast Aluminum Basket.
- * High Energy Double Stack Strontium Magnet Structure.
- * Dual Impedance Black Anodized Voice Coil Former with Kevlar Spunlace.
- * Kevlar Fiber Reinforced Non-Pressed Paper Cone with Industrial Textured Finish.
- * Red Stitched Edge to the Cone for Added Strength.
- * Over Sized Mirror Image Dual Poly / Nomex Spiders.
- * Black Anodized One Piece Pole-Plate for Added Motor Force.
- * Heavy Duty Direct Input Wires Connection to Voice Coils.
- * Reinforced Fiberglass Woven Dustcap for High Power Applications.
- * Custom Tooled Rubber Gasket and Magnet Boot.

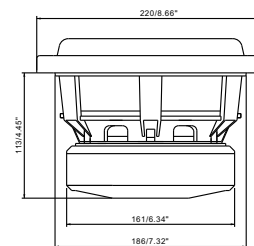
Specifications

CONFIGURATION		SUMMO 64S	SUMMO 84S	SUMMO XL 104	SUMMO XL 124	SUMMO XL 154										
Voice Coil		Dual 4 ohm	Dual 4 ohm	Dual 4 ohm	Dual 4 ohm	Dual 4 ohm										
Fs	Hz	58.45	51.34	50	46	37.82										
Qms		4.723	6.269	7.11	6.769	8.847										
Vas	liters	3.269	5.8	6.572	14	26.27										
Cms	µm/N	0.113	0.893	42.5	35.1	50.7										
Mms	g	65.98	107.5	226.7	341	349.2										
Rms	kg/s	5.148	5.538	10.27	14.56	9.382										
SPL@2.83V/1m	dB	85	86	86	86	85										
Watts RMS	W	200	400	1500	1500	1500										
Peak Power	W	400	800	3000	3000	3000										
Xmax	mm	8	9	13.5	13.5	13.5										
Magnet Weight	oz	45	66	250	250	250										
Xmech	mm	12	13.5	19.5	19.5	19.5										
Dia	mm	135.1	165	205	259.8	277.3										
Sd	sq.m	0.0143	0.0214	0.033	0.053	0.0604										
Vd	liters	0.00362	0.00235	0.445	0.715	0.785										
ELECTRICAL		Individual	Parallel	Series	Individual	Parallel	Series	Individual	Parallel	Series	Individual	Parallel	Series			
Qes		1.486	0.865	0.824	1.548	0.678	0.806	0.678	0.678	0.682	0.7	0.841	0.869	0.9	1.109	1.486
Re	ohms	3.2	1.7	6.4	3.3	1.6	6.6	3.2	1.6	6.4	3.2	1.6	6.4	3.2	1.6	6.4
Le	mH	37.28	33.63	111.7	57.13	47.06	145.6	87.39	50.34	176.8	89	90.79	165.5	104	107.9	525.4
BL	Tim	7.224	6.901	13.72	8.6	9.046	16.85	18.33	13	25.85	21.23	13.69	26.94	17.18	10.94	18.91
Pe	Watts	300	600	600	400	800	800	750	1500	1500	750	1500	1500	750	1500	1500
ELECTROMECHANICAL		Individual	Parallel	Series	Individual	Parallel	Series	Individual	Parallel	Series	Individual	Parallel	Series	Individual	Parallel	Series
Qts		1.13	0.746	0.716	1.241	0.612	0.714	0.619	0.607	0.611	0.65	0.748	0.77	0.817	0.986	1.272
no	%	0.042	0.0728	0.0764	0.049	0.112	0.0939	0.117	0.117	0.116	0.188	0.156	0.151	0.152	0.124	0.0922
1-W-SPL	dB	78.42	80.77	80.98	79.04	82.62	81.87	82.82	82.56	82.53	85.85	85.05	84.91	83.97	83.07	81.79
2.8V SPL	dB	82.36	87.49	81.95	82.89	89.61	82.71	87.99	93.83	83.77	89.82	92.04	85.88	90.55	92.66	85.37

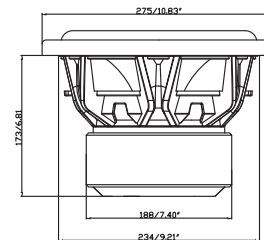
SUMMO 64S



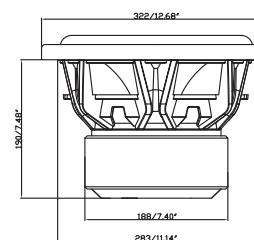
SUMMO 84S



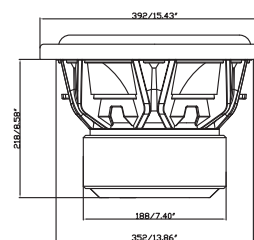
SUMMO XL 104



SUMMO XL 124



SUMMO XL 154



3000
PEAK WATTS

600
PEAK WATTS

800
PEAK WATTS



RoHS (E8)



P.O. Box 252004 LOS ANGELES, CA 90025 U.S.A.

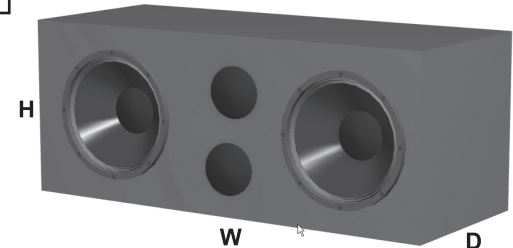
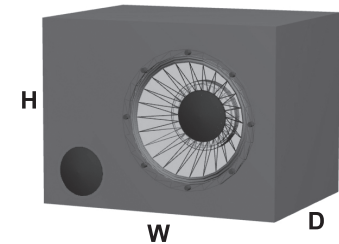
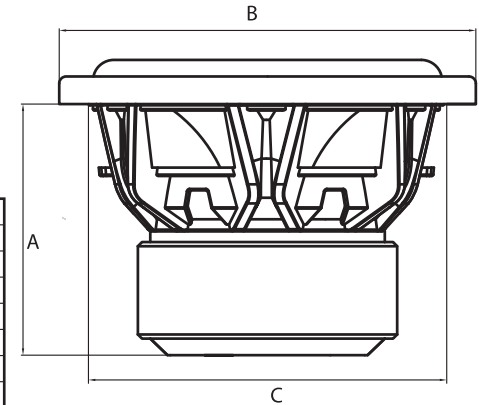
WWW.MASSIVEAUDIO.COM

SUMMO XL

For More Customized Box Volume Specifications
Please visit www.massiveaudio.com

	SUMMO 64S	SUMMO 84S	SUMMO XL 104	SUMMO XL 124	SUMMO XL 154
Mounting Depth (A)	3.86"	4.45"	6.81"	7.48"	8.58"
Mounting Diameter (B)	7.03"	8.66"	10.83"	12.68"	15.43"
Mounting cut Diameter (C)	5.94"	7.32"	9.21"	11.14"	13.86"
Net Weight (lb)	6.83	10.6	27.75	28.66	29.76
Displacement (ft3)	0.02	0.03	0.065	0.095	0.175

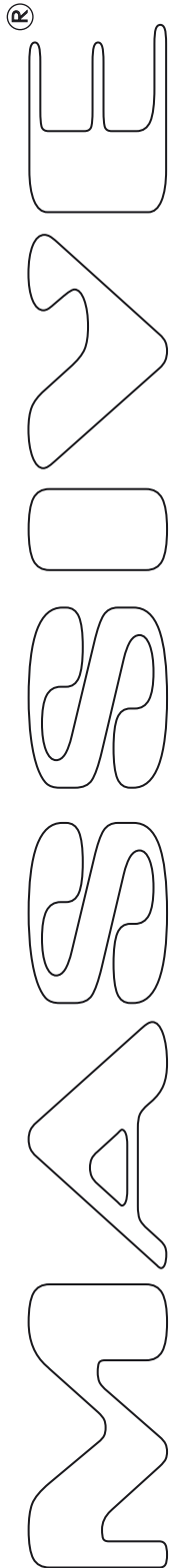
SEALED	SUMMO 64S		SUMMO 84S		SUMMO XL 104		SUMMO XL 124		SUMMO XL 154	
	Small	Large	Small	Large	Small	Large	Small	Large	Small	Large
Volume(cub.ft)	0.574	0.821	0.974	1.319	1.51	2.1	2.2	3.2	3.91	5.66
Internal Dimensions(in.)										
(width*Height*Depth)	13.8x8.1x8.88	15.8x9.1x9.88	16.5x9.6x10.6	18.5x11x11.6	20x12x10.8	24x13x11.7	21.6x14x12.6	27.3x15x13.5	26x17x15.3	33.5x18x16
F3 Hz	46	45	40	39	49	48	49	48	34	33
Qtc	0.707	0.707	0.707	0.707	0.707	0.707	0.707	0.707	0.707	0.707
FORTED										
Volume(cub.ft)	0.646	0.912	1.097	1.469	1.6	2.4	2.4	3.5	4.19	6.02
Internal Volume(WxHxD)	14.6x8.1x9.42	16.6x9.1x10.4	17.5x9.6x11.2	19.5x11x12.2	21.3x12x10.8	27x13x11.7	23.5x14x12.6	29.9x15x13.5	27.8x17x15.3	36x18x16
Fb Hz	40	38	35	30	40	35	40	35	30	25
Cabin Gain dB/Hz										
Port round(DxL)	2.95x15.44	2.95x11.67	2.95x11.37	2.95x10.26	3.94x6.76	3.94x6.89	3.94x3.24	3.94x3.74	3.94x3.56	3.94x4.87
Port Area sq.in.	6.84	6.84	6.84	6.84	12.17	12.17	12.17	12.17	12.17	12.17
Dual Sub Box Ported										
Volume(cub.ft)	0.95	1.29	1.628	2.107	2.8	3.9	4.29	5.9	7.61	9.9
Internal Volume(WxHxD)	21.5x8.1x9.42	23.5x9.1x10.4	25.9x9.6x11.2	27.9x11x12.2	37x12x10.8	44x13x11.7	42x14x12.6	50x15x13.5	50.5x17x15.3	58.7x18x16
Port (1)Sq.area.in.	6.84	6.84	6.84	6.84	12.17	12.17	12.17	12.17	12.17	12.17
Port Length	9.8	7.62	6.97	7.43	3.43	3.92	4.44	5.89	3.23	5.3
Fb Hz	40	40	35	35	40	35	30	25	25	20



The port may have to be placed along the back wall facing the side. Place a brace between the subs about 4 inches wide on the inside.
Make sure that the end of the port "inside the box" is at least the same distance away from the back wall as the port diameter. If port is 4" round = 4.5" from wall

Attention:

- *Box sizes account for driver and port displacement
- *For higher SPL shortening the port length 3 in. will raise frequency +/- 5 Hz
- *Box specifications are internal. For external dimensions add the width of the box material to these dimensions.
- *A square port (slot) is preferred in high power applications for less vent noise.
- *Port area = width x height
- *For dual speaker, double the volume and the number of ports but keep the same length.
- *If possible use a divided box.
- *If a common chamber box is to be used, internal bracing is highly recommended
- *Please contact Massive Audio for custom applications.



General Features

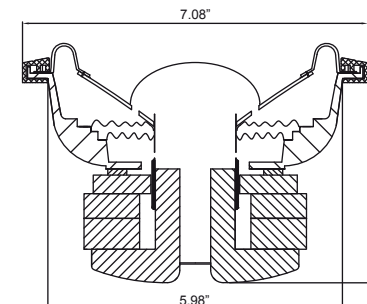
- * Die Cast Basket with Black Textured Finish
- * Kevlar Fiber Enhanced Non-Pressed Paper Cone with Textured Paint Finish
- * EROM Foam Surround with Red Stitching
- * 1.5" 4-Layer Hi-Temp Voice Coil (SUMMO 64)
- * 2.0" 4-Layer Hi-Temp Voice Coil (SUMMO 84)
- * Fiberglass Woven Dust Cap
- * Double Stacked 48oz High Energy Magnets (SUMMO 64)
- * Double Stacked 90oz High Energy Magnets (SUMMO 84)
- * Enhanced Cooling T-yoke Design with Black Anodized Finish
- * Customized Rubber Gasket and Magnet Boot
- * 16 Gauge Power Cable with Direct Lead Connection

Specifications

Mechanical		SUMMO 64	SUMMO 84	
Fs	Hz	53.261	37.853	
Qms		4.758	4.216	
Vas	liters	4.051	15.119	
Cms	um/N	161.942	263.385	
Mms	g	51.219	63.709	
Rms	g/s	8.55	3.88	
Xmax	mm	9	10	
Xmech	mm	28	30	
Dia.	mm	135	160	
Sd	sq.m	0.014	0.0215	
Vd	liters	1.168	1.866	
Electrical Parameters			Parallel	Series
Qes		0.759	0.49	0.449
Re	Ohms	3.4	1.7	6.8
Le	mH	2.762	0.761	3.223
BL	Tm	8.535	6.75	13.644
Pe	Watts	150	300	300
Electromechanical			Parallel	Series
Qts		0.655	0.439	0.399
no	%	0.087	0.175	0.17
1-W-SPL	dB	81.4	84.4	84.3
2.8V SPL	dB	85.31	91.36	85.21

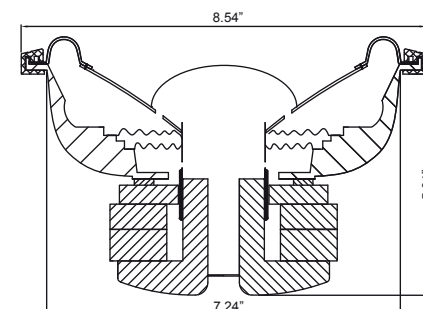


300
PEAK WATTS



SUMMO 6

600
PEAK WATTS



SUMMO 8



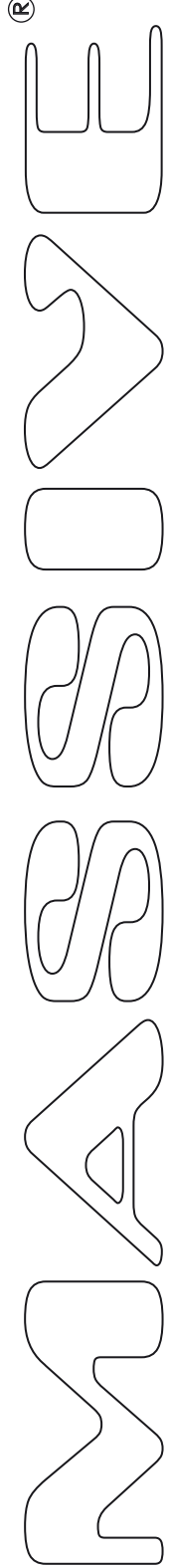
P.O. Box 252004 Los Angeles, CA 90025 U.S.A.
WWW.MASSIVEAUDIO.COM



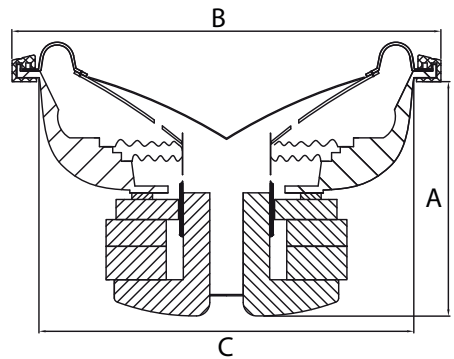
RoHS **E8**

SUMMO

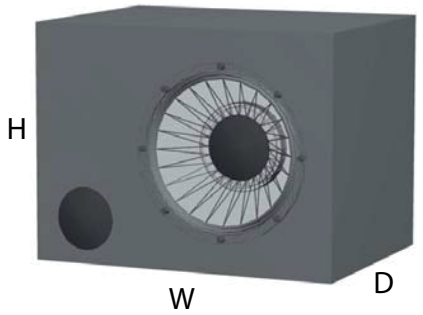
For More Customized Box Volume Specifications
Please visit www.massiveaudio.com



	SUMMO 6	SUMMO 8
Mounting Depth (A)	4.76"	5.04"
Mounting Diameter (B)	7.08"	8.54"
Mounting Cut Diameter (C)	5.98"	7.24"
Net Weight (kg)	7.5	11
Displacement (ft3)	0.025	0.035



	SUMMO 64		SUMMO 84	
	Small	Optimum	Small	Optimum
Single Sealed				
Volume (cub. ft)	0.25	0.41	0.42	0.75
Internal (Width x Height x Depth) in.	8 x 8 x 7	10 x 8 x 9	9 x 9 x 9	12 x 9 x 12
F3 Hz	67	66	63	61
Qtc	0.799	0.734	0.566	0.5
Single Ported				
Volume (cub. ft)	0.29	0.41	0.5	0.75
Internal (Width x Height x Depth) in.	8 x 8 x 8	10 x 8 x 9	10 x 9 x 10	12 x 9 x 12
Fb Hz	52	38	46	44
F3 Hz	42	34	44	39
Port Round (D X L)	1.5" x 6	1.5" x 8	2" x 8	2.5" x 8
Port Area sq. in.	1.77	1.77	3.14	4.91
Dual Ported				
Volume (cub. ft)	0.59	1	1	1.5
Internal (Width x Height x Depth) in.	16 x 8 x 8	16 x 8 x 14	18 x 10 x 10	24 x 9 x 12
Port (1) Sq. area in.	4	8	7.5	10
Port Length	6	10	8	10
F3 Hz	45	38	48	41



The port may have to be placed along the back wall facing the side. Place a brace between the subs about 4 inches wide on the inside.
Make sure that the end of the port "inside the box" is at least the same distance away from the back wall as the port diameter. If port is 4" round = 4.5" from wall

Attention:

- *Box sizes account for driver and port displacement
- *For higher SPL shortening the port length 3 in. will raise frequency +/- 5 Hz
- *Box specifications are internal. For external dimensions add the width of the box material to these dimensions.
- *A square port (slot) is preferred in high power applications for less vent noise.
- *Port area = width x height
- *For dual speaker, double the volume and the number of ports but keep the same length.
- *If possible use a divided box.
- *If a common chamber box is to be used, internal bracing is highly recommended
- *Please contact Massive Audio for custom applications.

