

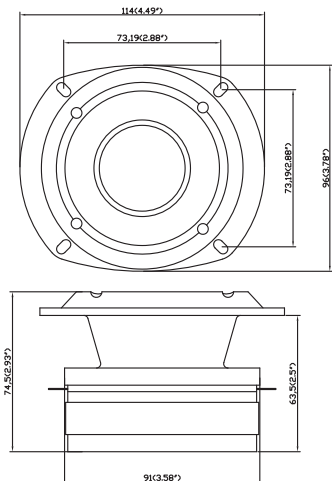
# T50

## Power Bullet Tweeter



### KEY FEATURES

- 1.75" Voice Coil
- 120 Watts Continuous Power Handling
- 107 dB Sensitivity
- 3 K-22 KHz



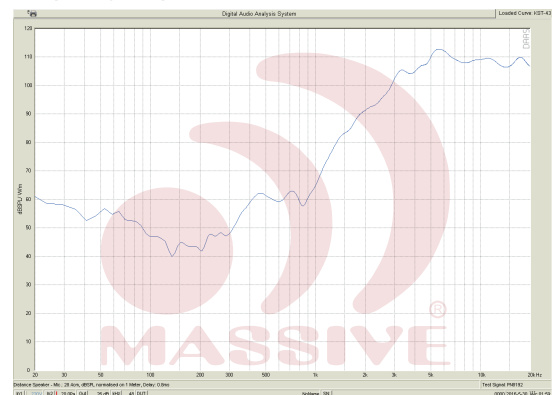
### GENERAL SPECIFICATIONS

|                               |                |
|-------------------------------|----------------|
| Nominal Impedance             | 8 ohm          |
| Rated Power Handling          | 120 Watts      |
| Program Power                 | 300 Watts      |
| Sensitivity 2.83v at 1m       | 107 dB         |
| Recommended Hi Pass Crossover | 3 KHz          |
| Frequency Response            | 3K-22 KHz      |
| Voice Coil Diameter at - 10dB | 1.75"(44.4 mm) |
| Voice Coil Wire               | CCA W          |
| Former Material               | Kapton         |
| Diaphragm Material            | Aluminium      |
| Magnet Material               | Ferrite        |

### THIEE-SMALL PARAMETERS

|                         |                                   |
|-------------------------|-----------------------------------|
| Overall Depth           | 2.93"(74.5 mm)                    |
| Mounting Depth          | 2.50"(63.5 mm)                    |
| Overall Width           | 4.49"(114 mm)                     |
| Overall Height          | 3.78"(96 mm)                      |
| Coutout Diameter        | 3.58"(91 mm)                      |
| Net Weight              | 2.9 lbs(1.3 kg)                   |
| Shipping Weight         | 3.3 lbs(1.5 kg)                   |
| Carton Dimensions WxLxH | 5.7"x5.0"x3.4"<br>(146x127x87 mm) |

Frequency Response Measured at 2.83v/1m



**300**  
PEAK WATTS

