

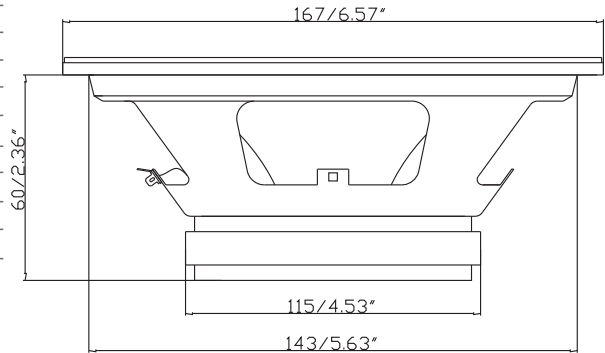
MA6

Midrange Speakers



KEY FEATURES

- 1.5" Voice Coil
- 140 Watts Continuous Power Handling
- 96 dB Sensitivity
- 115-10 KHz



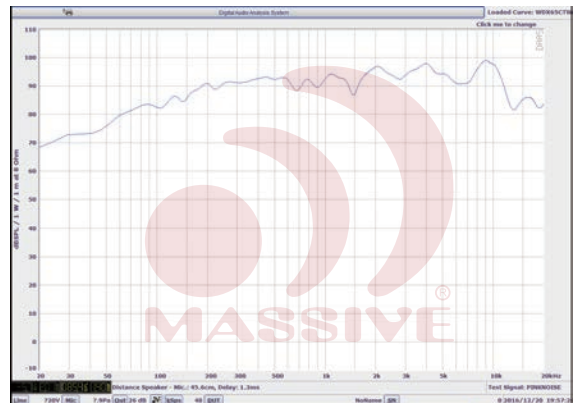
GENERAL SPECIFICATIONS

| | |
|-------------------------------|---------------|
| Nominal Diameter | 6.5" (166 mm) |
| Nominal Impedance | 8 ohm |
| Rated Power Handling | 140 Watts |
| Program Power | 280 Watts |
| Sensitivity 2.00v at 1m | 96 dB |
| Recommended Hi Pass Crossover | 115 Hz |
| Frequency Response | 115-10 KHz |
| Voice Coil Diameter at - 10dB | 1.5" (38 mm) |
| Voice Coil Wire | Copper |
| Former Material | Kapton |
| Frame Material | Stamped Steel |

THIELE-SMALL PARAMETERS

| | | |
|-----------------------|------|------------------|
| Equivalent Volume | Vas | 4.6 L |
| Excursion | Xmax | 0.75 mm |
| Free Air Resonance | Fs | 114.5 Hz |
| Mechanical Mass | Qms | 7.73 |
| Electcal Factor | Qes | 0.59 |
| Total Factor | Qts | 0.55 |
| Cone Area | Sd | 0.014 m2 |
| Mechanical Mass | Mms | 0.0082 kg |
| BI Factor | BI | 8.2 Tm |
| Dc Resistance | Re | 5.2 ohms |
| Inductance | Le | 0.36 Mh at 1 kHz |
| Mechanical Compliance | Cms | 0.17 mm/N |

Frequency Response Measured at 2.00V/1m



300
PEAK WATTS