

UFO Series Subwoofers

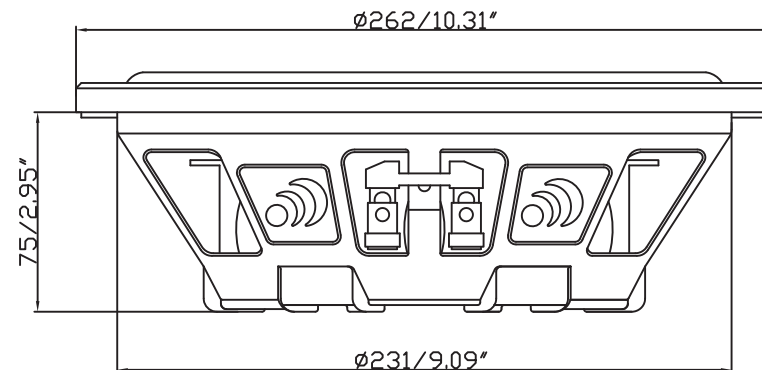
General Features

- * Heavy Gauge Steel Basket With Industrial Texture Painting
- * High Flux Y30 Strontium Ferrite Magnet
- * High Impedance Aluminum Former With EISV Voice Coil
- * Poly Cotton Spider With Woven Round Tinsel Leads
- * Injection PP Cone With Pressed Foam Surround
- * Shallow design for Architecture and Automotive

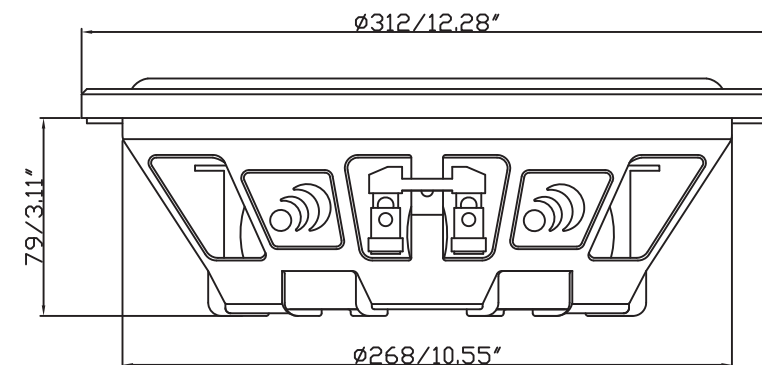
Specifications

CONFIGURATION		UFO 10			UFO 12		
Voice Coil		Dual 4 Ohm			Dual 4 Ohm		
FS	Hz	35.9			33.2		
Qms		5.64			5.18		
Vas	liters	20.1			31.3		
Cms	um/N	0.13			0.11		
Mms	g	149.2			217.2		
SPL@2.83V/1m	dB	86			88		
Watts RMS	W	300			300		
Peak Power	W	600			600		
Xmax	mm	8			8		
Magnet Weight	oz	40			50		
Xmech	mm	20			20		
Dia	mm	205			245		
Sd	sq.m	0.0330			0.0471		
Vd	liters	0.501			0.794		
ELECTRICAL		Individual	Parallel	Series	Individual	Parallel	Series
Qes		2.24	1.12	1.16	1.62	0.91	0.89
Re	ohms	3.4	1.7	6.8	3.4	1.7	6.8
Le	mH	0.57	0.57	2.33	0.57	0.53	2.17
BL	Tm	7.0	7.1	13.7	9.7	9.2	18.5
Pe	Watts	150	300	300	150	300	300
ELECTROMECHANICAL							
Qts		1.56	0.93	0.96	1.18	0.77	0.73
no	%	0.04	0.08	0.08	0.07	0.12	0.13
1-W-SPL	dB	78.2	81.0	81.0	80.3	82.9	83.0
2.8V SPL	dB	80.1	82.5	82.5	81.9	84.3	84.5

UFO 10



UFO 12



600
PEAK WATTS





UFO Series Subwoofers

For More Customized Box Volume Specifications
Please visit www.massiveaudio.com

	UFO 10	UFO 12
Mounting Depth (A)	2.95 in.	3.11 in.
Mounting Diameter (B)	10.31 in.	12.28 in.
Mounting cut diameter(C)	9.09 in.	10.55 in.
Net weight (Lb)	7.28	10.80
Displacement (ft3)	0.06	0.08

Recommended Enclosures:

	UFO 10		UFO 12	
	Small	Large	Small	Large
SEALED				
Volume (cub. ft)	0.56	0.77	0.833	1.0
Internal Dimensions (in.)				
(width x Height x Depth)	11x11x8	11x11x12	12x12x10	12x12x12
F3 Hz	48	44	45	42
Qtc	.811	.792	.801	.787
PORTED				
Volume (cub ft.)	0.77	1.07	1	1.56
Internal Volume (W x H x D)	11x11x11	11x12x14	12x12x12	12x14x15
Fb Hz	48	44	46	43
Cabin Gain dB/Hz	2dB@52	3dB@50	3dB@50	3dB@48
Port round (D x L)	2.5x8	3x8	4x10	4x12
Port Area sq. in.	4.91	7.07	12.57	12.57
Dual Sub Box Ported				
Volume (cub ft.)	1.54	2.14	2	3.11
Internal Volume (W x H x D)	11x22x11	11x24x14	12x24x12	12x28x16
Port (1) Sq.area in.	10	14	25	25
Port Length	8	10	10	12
Fb Hz	46	44	44	42

The port may have to be placed along the back wall facing the side. Place a brace between the subs about 4 inches wide on the inside.
Make sure that the end of the port "inside the box" is at least the same distance away from the back wall as the port diameter. If port is 4" round = 4.5" from wall

Attention:

- *Box sizes account for driver and port displacement
- *For higher SPL shortning the port length 3 in. will rise frequency +/- 5 Hz
- *Box specifications are internal. for external dimensions add the width of the box material to these dimensions.
- *A square port (slot) is preferred in high power applications for less vent noise.
- *Port area = width x height
- *For dual speaker, double the volume and the number of ports but keep the same length.
- *If possible use a divided box.
- *If a common chamber box is to be used, internal bracing is highly recommended
- *Please contact Massive Audio for custom applications.

